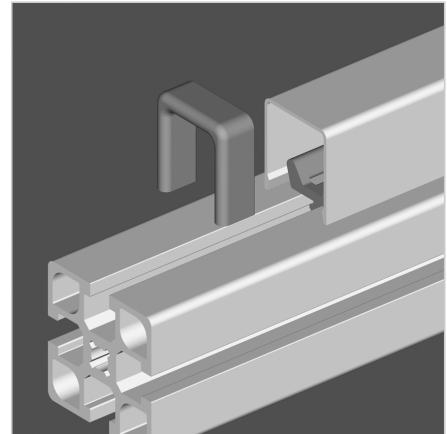
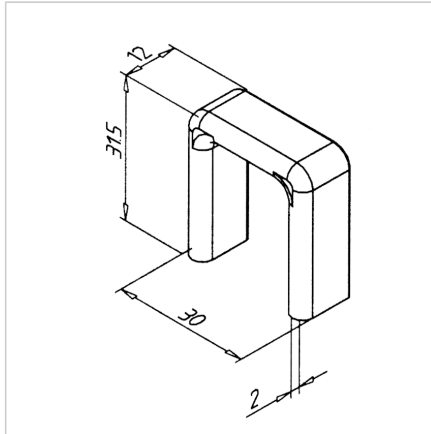
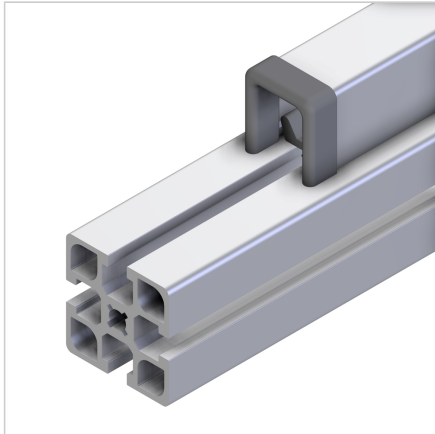


## EDGE PROTECTION FOR CONDUIT AL

Code: 221120/1

Edge protection for conduit 27, preventing edge damage and extending duct lifespan.

[Link to the product →](#)



### Technical data/items supplied

- ABS, Injection Mould, grey
- Weight = 0.003 kg/piece

### Applications

- Edge protection for conduit AL

### Assembly

- Simply push onto the end of the cable duct