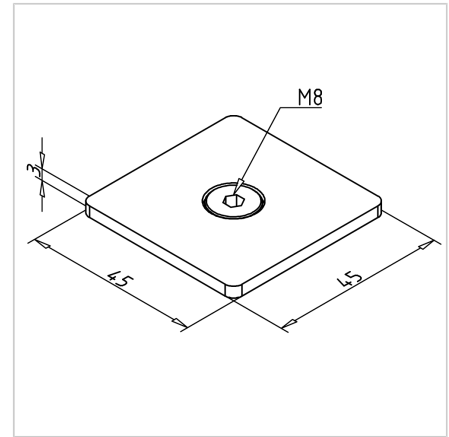
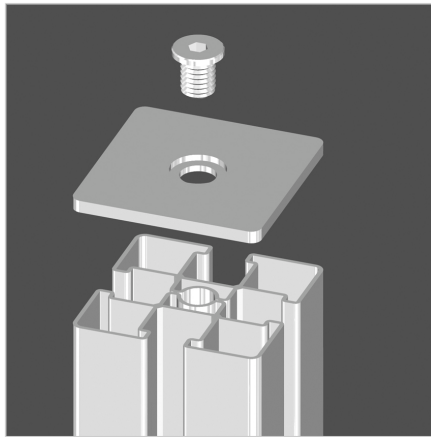


## END CAP 45X45 VA

Code: 221067/5

Profile end cap 45 x 45. Inox end cap for sealing and protecting aluminium profile edges. Easy installation and reliable protection.

[Link to the product →](#)



### Technical data/items supplied

- Stainless steel, blasted
- Weight = 0.049 kg/piece

### Applications

- Mouth-side covering of profile ends of profile series 45

### Assembly

- Insert and screw on the thread M8 into the central hole in the end face of the profile