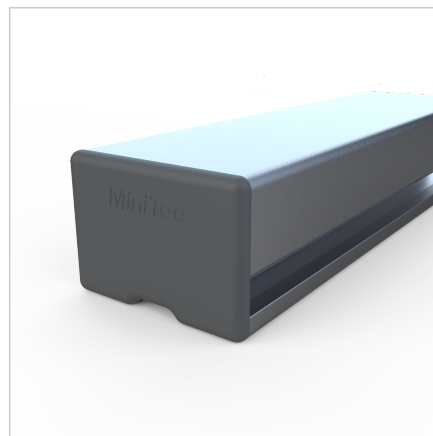
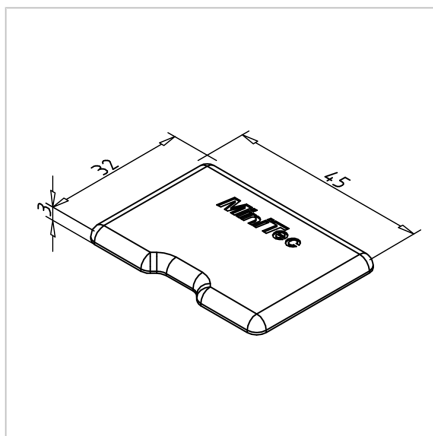
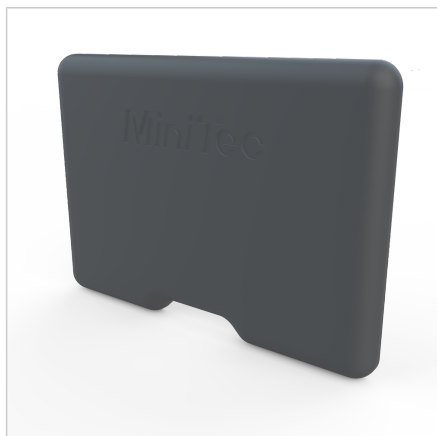


## END CAP FOR CLAMPING PROFILE 45X32 K GREY

Code: 221193/1

End cap for clamping profile 45 x 32 K. Plastic end cap for sealing and protecting aluminium profile edges. Easy installation and reliable protection.

[Link to the product →](#)



### Technical data/items supplied

- ABS, Injection Mould, grey
- Weight = 0.004 kg/piece

### Applications

- Mouth-side covering of profile ends of profile series 45

### Assembly

- Assembly by pressing onto the end of the profile