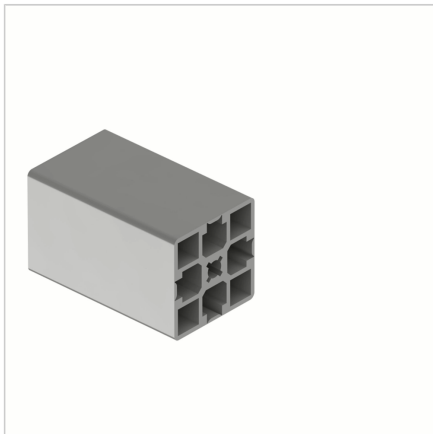
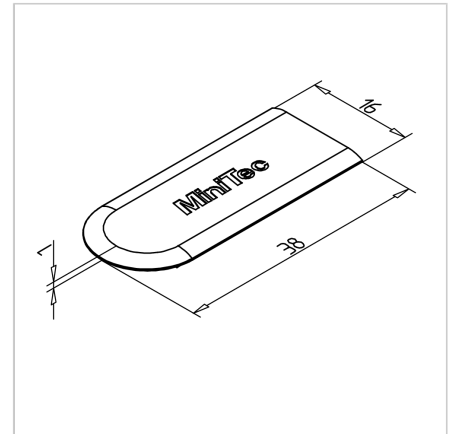


END CAP G FOR G-PROFILE 30

Code: 221182/1

G-profile end cap series 30. Plastic end cap for sealing and protecting aluminium profile edges. Easy installation and reliable protection.

[Link to the product →](#)



Technical data/items supplied

- PA, Injection Mould, grey
- Weight = 0.001 kg/piece

Applications

- For locking groove breaks in closed profiles (G-profile)

Assembly

- Clip in profile groove