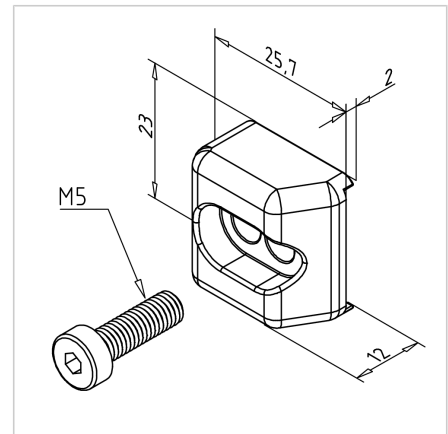
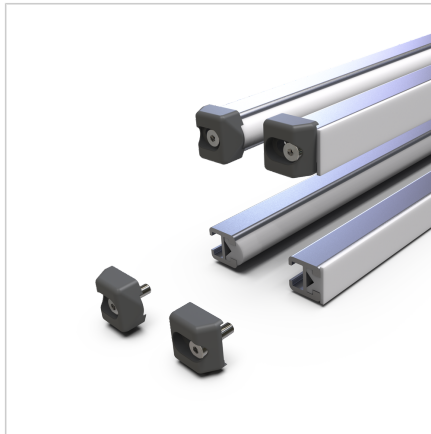


END CAP LATERAL GUIDE COMBI

Code: 221180/0

Combined end cap for lateral guide. Plastic end cap for sealing and protecting aluminium profile edges. Easy installation and reliable protection.

[Link to the product →](#)



Technical data/items supplied

- ABS, Injection Mould, grey
- Fastening material steel, galvanized
- Weight = 0.004 kg/piece

Applications

- For use with lateral guide **part no.** [295034/0](#) or [295049/0](#)

Assembly

- Place end cap and fix with delivered cylinder screw
- Please remove the standard setscrew provided beforehand before fixing the sliding strip, and do not screw it in