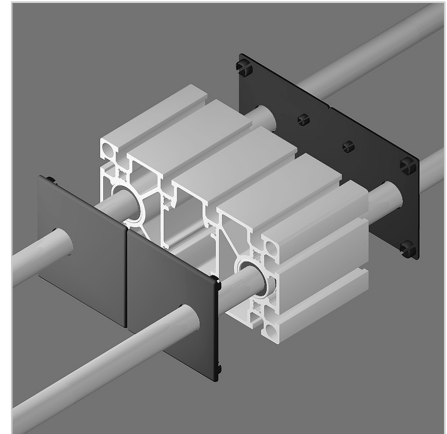
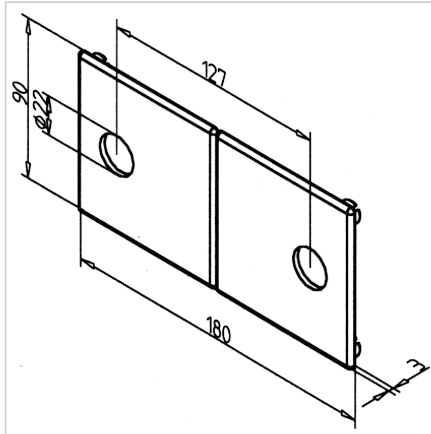
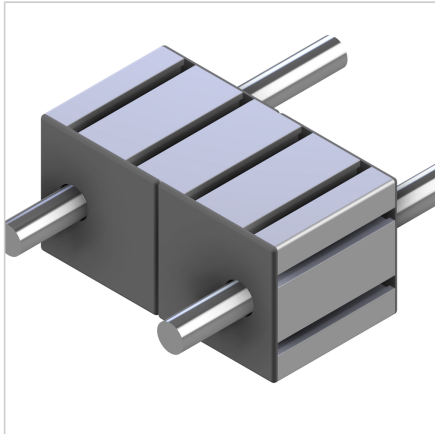


## END CAP LB 180 BLACK

Code: 280103/0

End cap LB 180 in black provides a neat and secure closure for the linear slide and shaft support block on the shaft side.

[Link to the product →](#)



### Technical data/items supplied

- ABS, Injection Mould, black
- Aging and oil resistant
- 2 bores  $\varnothing$  22 mm
- Weight = 0.037 kg/piece

### Applications

- Press the fastening pins into the profile holes

### Assembly

- Front slide cover LB 180
- Front cover of shaft support blocks WB 180