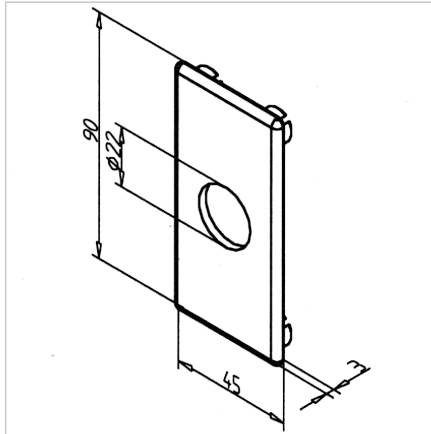
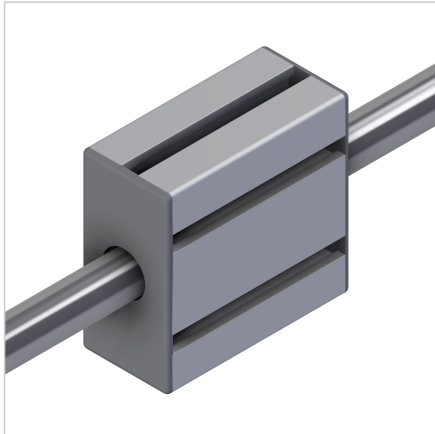


END CAP LB 45 GREY

Code: 280094/1

End cap LB 45 provides a neat and secure closure for the linear slide and shaft support block on the shaft side.

[Link to the product →](#)



Technical data/items supplied

- ABS, Injection Mould, grey
- Aging and oil resistant
- On request also available in black, **part no. 280094/0**
- 1 centric bore $\varnothing 22$ mm
- Weight = 0.010 kg/piece

Applications

- Front slide cover LB 45
- Face covering of shaft support block WB 45 (shaft side)

Assembly

- Press the fastening pins into the profile holes