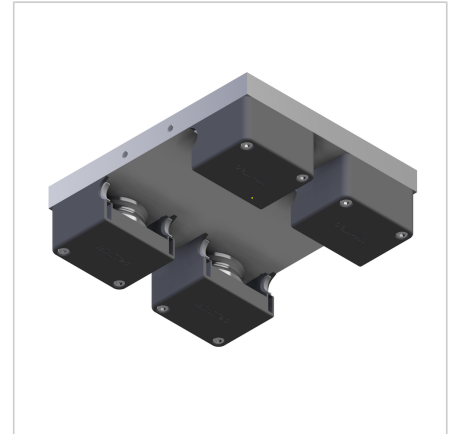
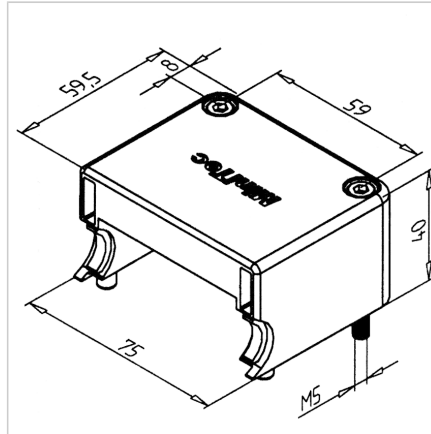


END CAP LR 16

Code: 280815/0

End cap LR 16 for MiniTec linear slide, designed to protect and finish the bearings.

[Link to the product →](#)



Technical data/items supplied

- PA, Injection Mould, grey
- With integrated, sprung wiping and lubrication felt
- With fastening material steel, zinc plated
- Weight = 0.075 kg/piece

Applications

- MiniTec linear guide LR16

Assembly

- Fasten with supplied hardware
- Clean and soak fillet according to implementation conditions or spare fillet
part no. 280816/0