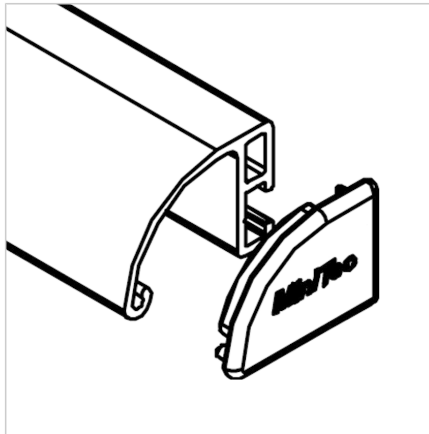


## END CAP RIGHT- HANDLE PROFILE

Code: 221054/0

Right-handle profile. Plastic end cap for sealing and protecting aluminium profile edges. Easy installation and reliable protection.

[Link to the product →](#)



### Technical data/items supplied

- ABS, Injection Mould, grey
- Weight = 0.004 kg/piece

### Applications

- Mouth-side covering of profile ends of profile series 45