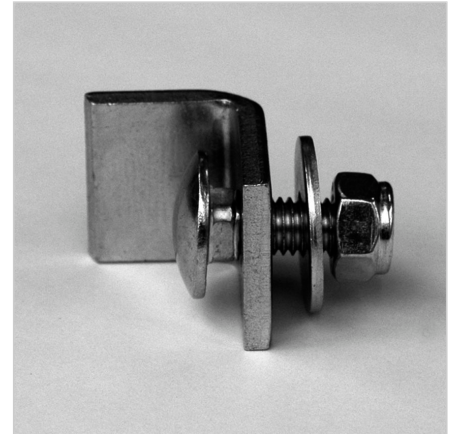
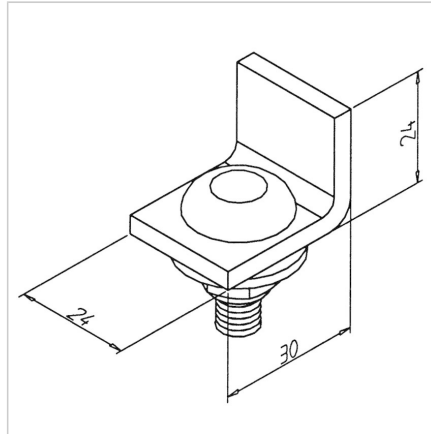
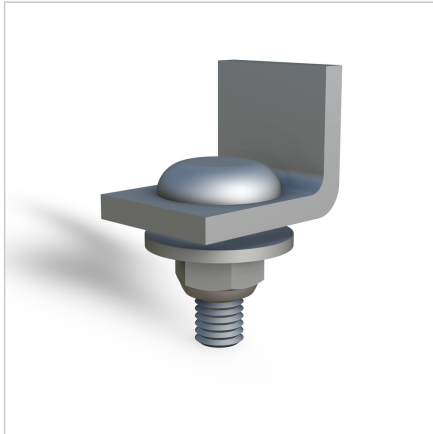


## END STOP C-RAIL 30

Code: 320226/0

C-profile end stop prevents over-travel of trolleys, allows safe stopping, and provides protection for the profile.

[Link to the product →](#)



### Technical data/items supplied

- Steel, galvanized
- Fastening material
- ESD-compatible
- Weight = 0.060 kg/piece

### Applications

- Fasten the cable trolley **part no. 320225/0** and tool trolley **part no. 320224/0** at the end of the rail

### Assembly

- Screw into end of C-section rail