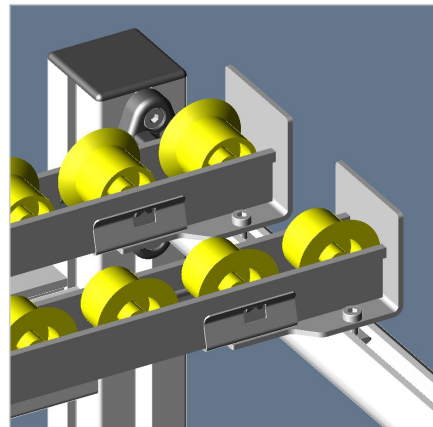
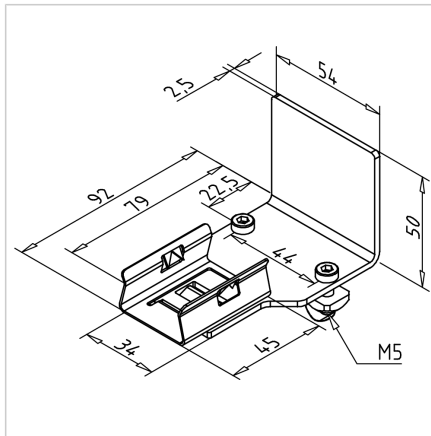
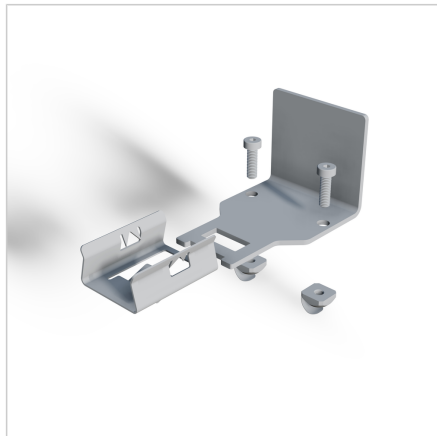


END STOP FOR ROLLER BAR

Code: 320569/0

[Link to the product →](#)



Technical data/items supplied

- Steel
- Stainless steel end stop
- Thickness 3 mm
- With fastening material and spring clip for roller strip
- Conductive
- Weight = 0.166 kg/piece

Applications

- Use as end stop for roller strip
- Install without drilling
- Fitting for all profiles of profile series 45
- Appropriate for ESD implementations

Assembly

- Fasten to any profile groove with the fastening material provided
- For roller conveyors use handle profile **part no. 201088/0** in connection with flange bearing 32 **part no. 221016/0** or clip 32 **part no. 22.1022/0**