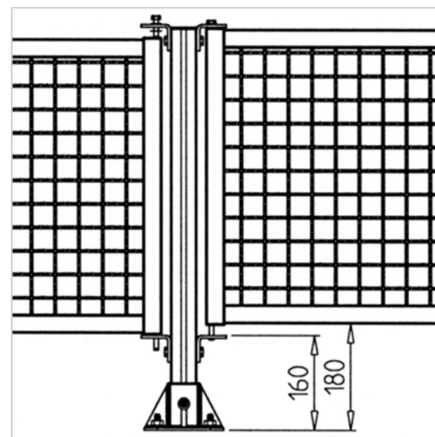
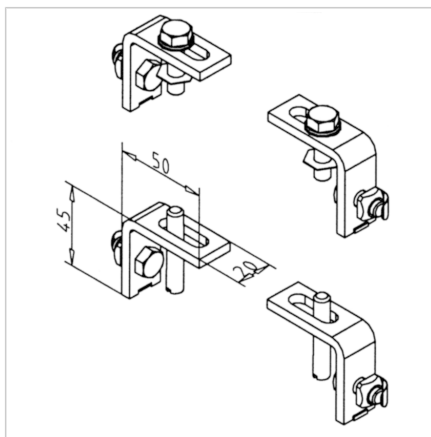
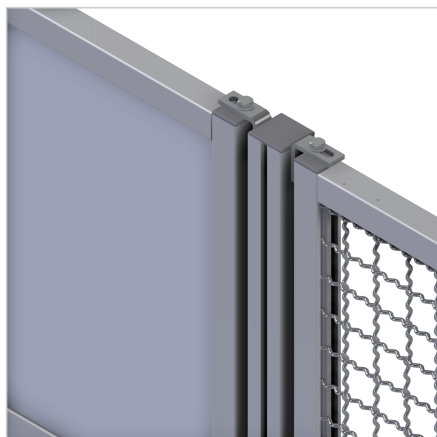


## FASTENING KIT 19 FOR GUARD UNITS WITH NON-DETACHABLE SCREW

Code: 230011/0

[Link to the product →](#)



### Technical data/items supplied

- Steel, galvanized
- 4 protection field suspensions
- With label: Maintenance panel
- Top screws in non-detachable design
- With fastening material steel, zinc plated
- Weight = 0.366 kg/set

### Applications

- Fastening guard units which are removed for servicing purposes. The screws to be loosened here are in a captive design.
- For clamping profile 32 x 32 and 45 x 32
- Fastening of protection fields at any angle

### Assembly

- Insert guard unit in pre-assembled lower fixing angle, tighten with screws from the scope of delivery above
- A = 10,5 mm - 30,5 mm