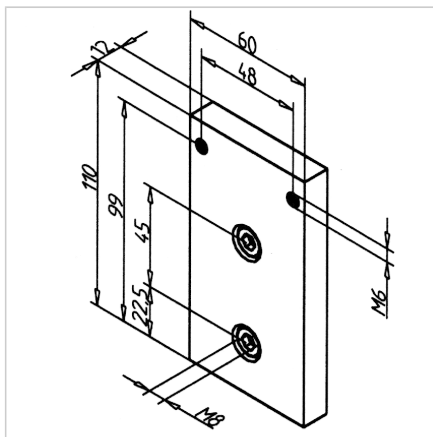
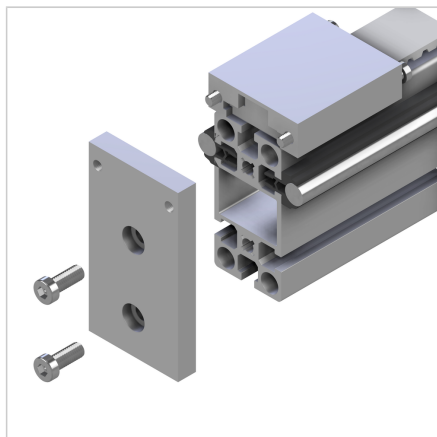


## FASTENING KIT 45/90H TIMING BELT DRIVE

Code: 280056/0

Fastening kit 45/90H for timing belt tensioner for easy and secure installation in linear guide systems.

[Link to the product →](#)



### Technical data/items supplied

- Aluminium, anodized E6/EV1
- With fastening material steel, zinc plated
- Weight = 0.090 kg/piece

### Applications

- For each timing belt tensioner one fastening kit is necessary
- Connection of timing belt tensioner to rail 45 x 90 H in connection with timing belt drive

### Assembly

- Fasten with supplied hardware to the end of the rail, then introduce thread M8
- Install timing belt tensioner