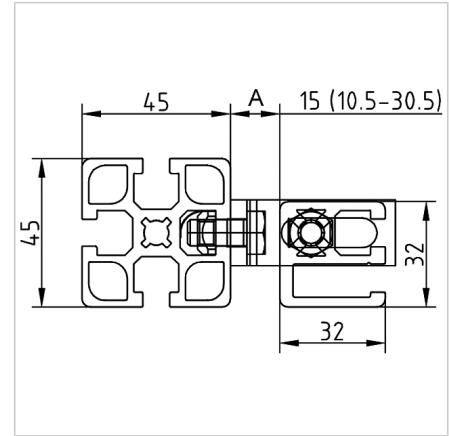
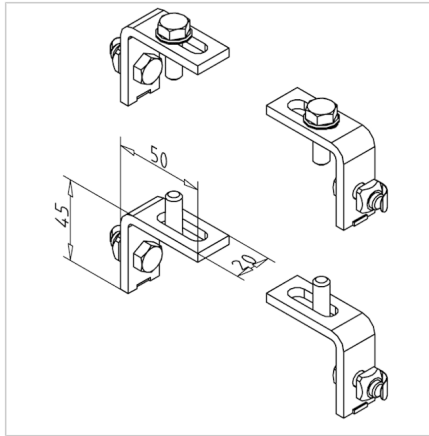
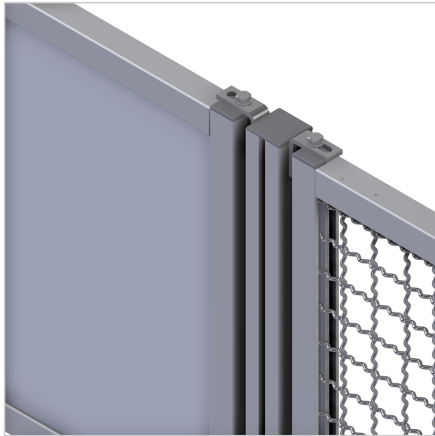


## FASTENING KIT FOR 19 FOR GUARD UNITS

Code: 230010/0

[Link to the product →](#)



### Technical data/items supplied

- Steel, galvanized
- 4 protection field suspensions
- With fastening material steel, zinc plated
- Weight = 0.500 kg/set

### Applications

- Fastening guard units from clamping profile 32 x 32, 45 x 32 or standard profiles
- Attachment of guard units at any angle

### Assembly

- Insert guard unit in pre-assembled lower fixing angle, tighten with screws from the scope of delivery above
- A = 10,5 mm - 30,5 mm