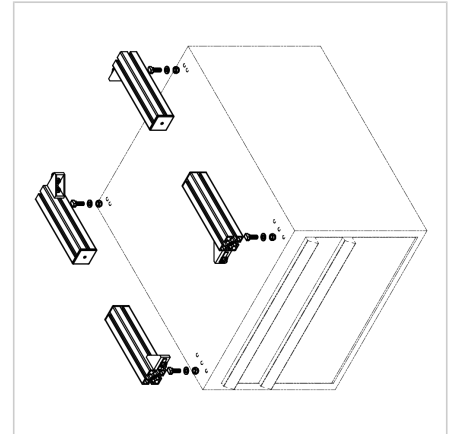
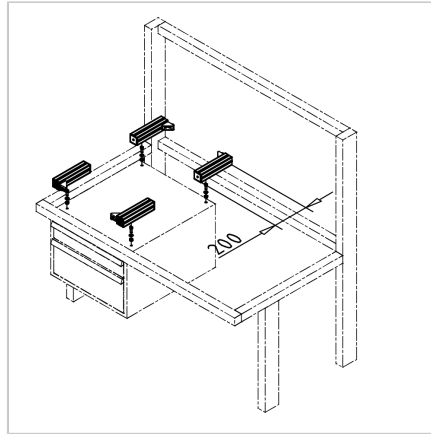
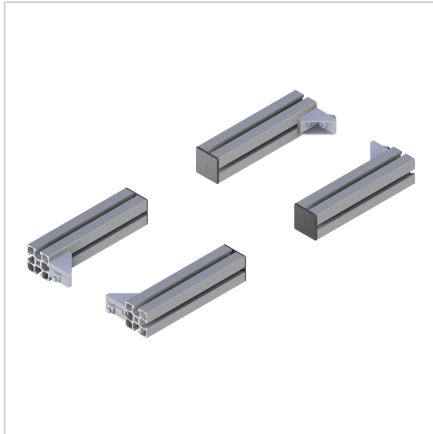


## FASTENING SET FLOOR CABINET - CONDUCTIVE

Code: 320806/0

Drawer bracket kit ensures secure and stable attachment of drawers to the workbench for safe, firm installation.

[Link to the product →](#)



### Technical data/items supplied

- Aluminium, anodized E6/EV1
- Consisting of:
  - 4 x profile 45 x 45 - L=200 mm
  - 4 x mounting angle 25
  - 4 x fixing material
- Suitable for ESD-designs
- Weight = 2.005 kg/piece

### Applications

- For the attachment of floor cabinets on table frame

### Assembly

- With fastening material included
- Screw fastening set on base frame
- Remove drawers from counter cabinet
- Place the hammer screws on the cabinet
- Swing in the cabinet with the hammer screws in the profile groove, tighten the nuts