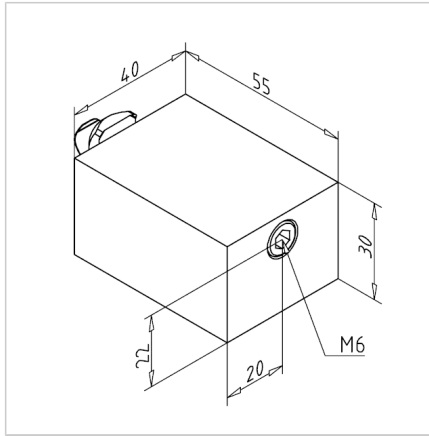
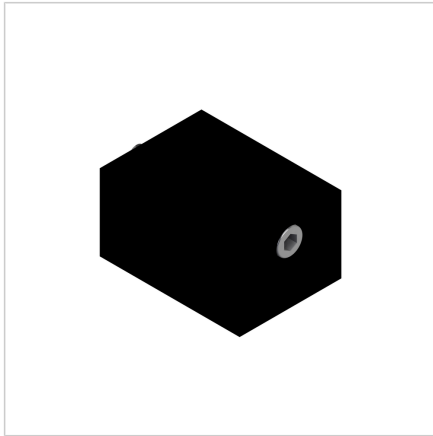


## FIXATION BLOCK ESD FOR SELF-DRILLING

Code: 320539/0

[Link to the product →](#)



### Technical data/items supplied

- Plastic
- Color: black
- Fastening kit
- Square nut Z, ESD capable
- Weight = 0.078 kg/piece

### Applications

- For custom drilling of individual holes
- For provision of tools etc.

### Assembly

- Fasten into profile groove with fastening kit