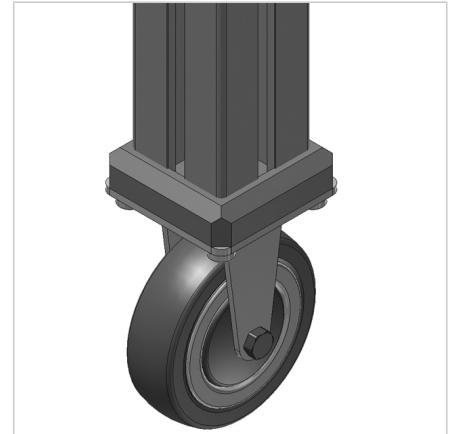
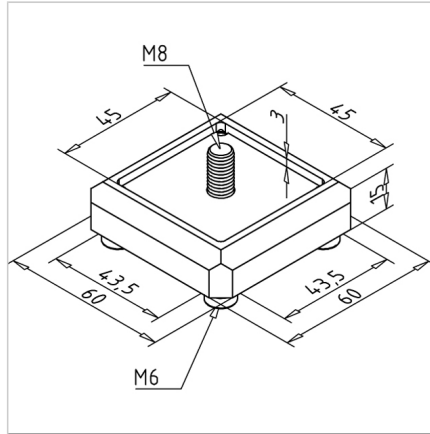
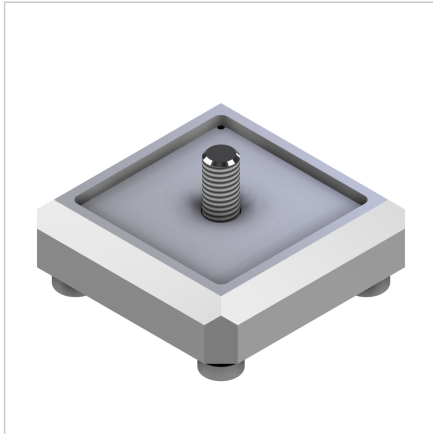


## FIXATION PLATE 45 VA TO WHEEL RIGID TYPE

Code: 212058/0

Fastening plate 45 SS for secure mounting of fixed castors to aluminum profile constructions.

[Link to the product →](#)



### Technical data/items supplied

- Stainless steel
- Fastening kit
- Weight = 0.360 kg/piece

### Applications

- Profile 45 x 45
- Profile 45 x 45 VA
- For attaching the fixed caster on the front side to profile 45 x 45 and 45 x 45 VA

### Assembly

- Front attachment to profile with supplied hardware