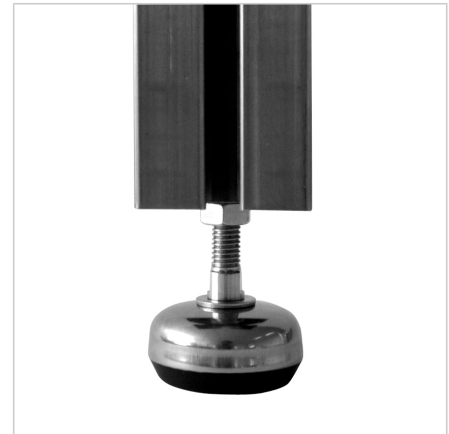
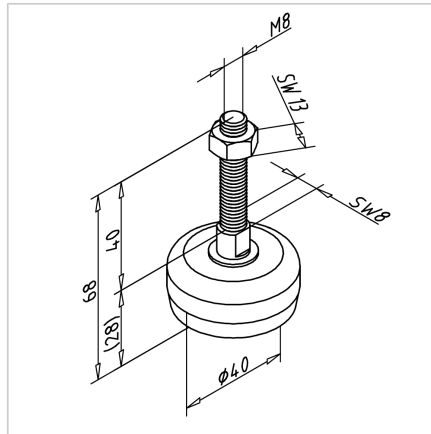


FOOT M08 D44 VA L=73 MM

Code: 212053/0

Adjustable stainless steel foot M08 D40 L=68 mm for secure and stable mounting of aluminium constructions in industrial applications.

[Link to the product →](#)



Technical data/items supplied

- Stainless steel
- Plate steel VA
- Spindle insert steel VA
- Locknut steel VA
- Load capacity: 750 kg
- Weight = 0.079 kg/piece

Applications

- Height adjustable constructions of all kinds
- Protective equipment, tables, showcases
- Conveyors, system workstations

Assembly

- Direct in central drilling of the profiles
- For profiles 45 x 90 and 90 x 90 a base and transport plate is required, if the feet are to be positioned centrally