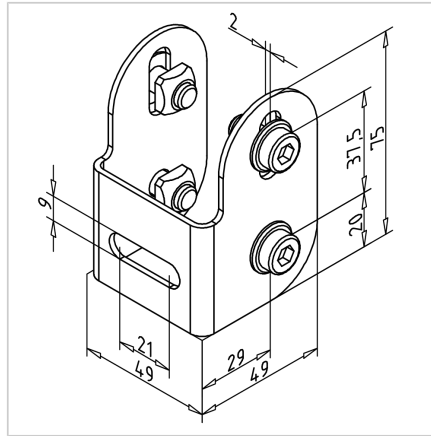


## FRS MOUNTING SHOE

Code: 320668/0

[Link to the product →](#)



### Technical data/items supplied

- Stainless steel
- ESD-conductive
- Weight = 0.171 kg/piece

### Applications

- Is use to fix the FRS profile on a post
- Can also be used as a fastening for mini conveyor belts.

### Assembly

- Fasten with fixing material to profile groove