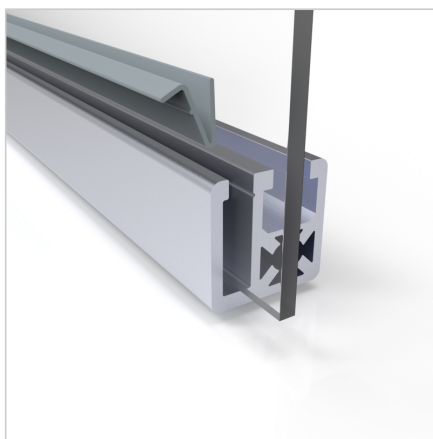


GUARD UNIT SG 1750 X 1820 POLY-KP 32X32 WITH VERTICAL INTERMEDIATE SUPPORT

Code: 230117/0

Modular polycarbonate protective fences 1750 x 1820 allow quick assembly, flexible zoning, and clear visibility.

[Link to the product →](#)



Technical data/items supplied

- Made of clamp profile 32 x 32 UL, completely preassembled
- With polycarbonate 5
- Standard height HS: 1820 mm
- Vertical middle strut made of clamp profile 45 x 32
- Additional vertical middle strut
- Weight = 29.370 kg/piece

Applications

- For cordoning off danger zones
- As machine protection

Assembly

- Install guard panel non guard unit posts using fastening kit 19 **article no. 230010/0** or fastening kit for SG panels **article no. 230011/0**