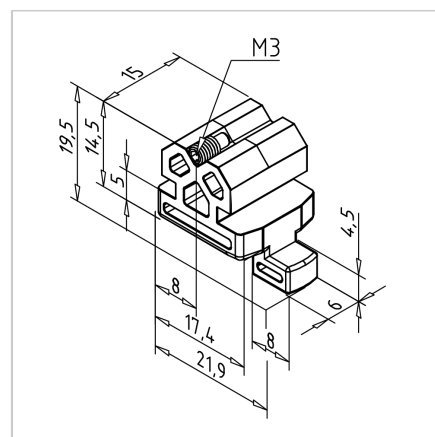
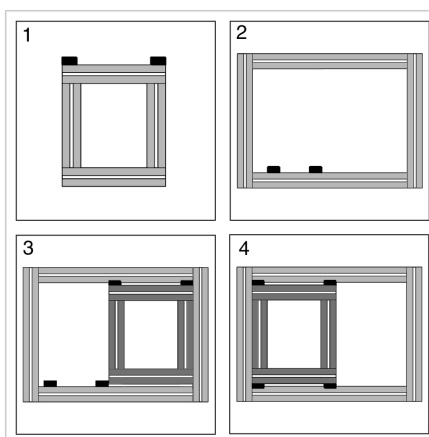


GUIDE FOR SLIDING DOOR 30 V

Code: 221184/0

Sliding door guide 30 V enables smooth and simultaneous guidance of two sliding elements in one profile groove, compatible with profile series 30 and 45.

[Link to the product →](#)



Technical data/items supplied

- PA, black
- 1 locking screw
- For 1 door element 4 guides are necessary
- Weight = 0.004 kg/piece

Applications

- Sliding doors
- Sliding elements
- For a simultaneous guidance of 2 elements in 1 profile groove
- It is possible to retrofit sliding doors in existing constructions
- For use with door elements of profile series 30
- The outer frame construction can consist of profiles of series 45 as well as of series 30

Assembly

- 1: Fasten the upper guide to the frame of the door element
- 2: Insert the lower guide into the frame construction
- 3: Rotate the door element
- 4: Slide it into the lower guide and secure at desired position
- Replace the second door element
- **Height of door elements:** clear height of the installation opening -11 mm
- **Door element width** (for 2 elements): (inside + 24 mm) : 2