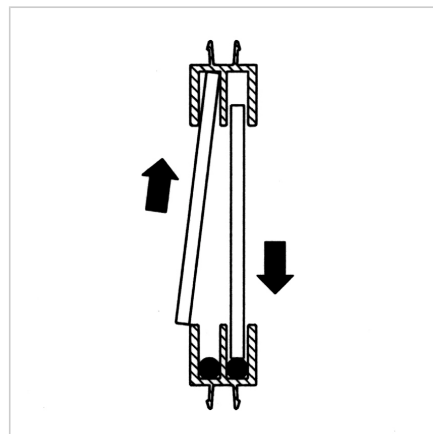
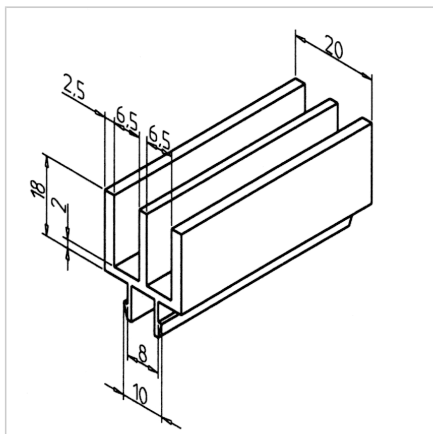
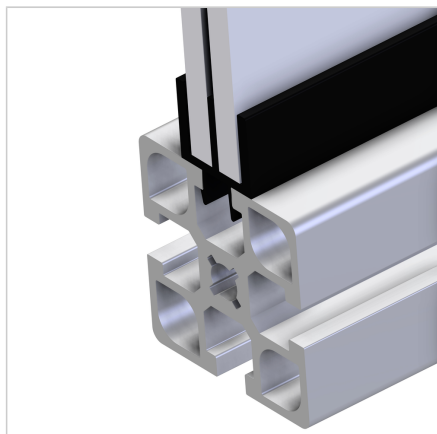


## GUIDE PROFILE 2 BLACK L=2m

Code: 221073/0

Guide profile 2 in black for precise and durable guidance of sliding parts in various structures.

[Link to the product →](#)



### Technical data/items supplied

- PVC
- L=2m
- Weight = 0.270 kg/m

### Applications

- 2-fold sliding window made of surface elements up to 6 mm thick

### Assembly

- Press into profile groove
- Suitable for subsequent mounting
- For retrofitting the surface elements must be inserted in the grooves of the lower guide profile round rods **part no.** [221077/0](#)
- Determination of dimensions for surface elements for subsequent mounting: Light height- 20 mm, further light height - 10 mm