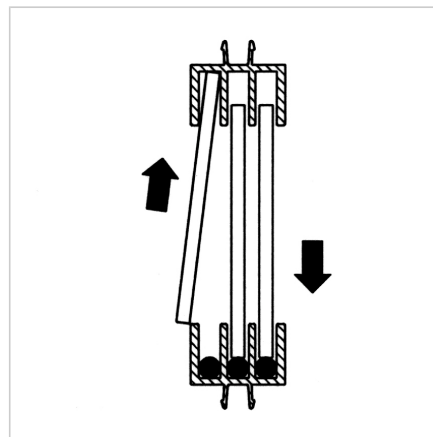
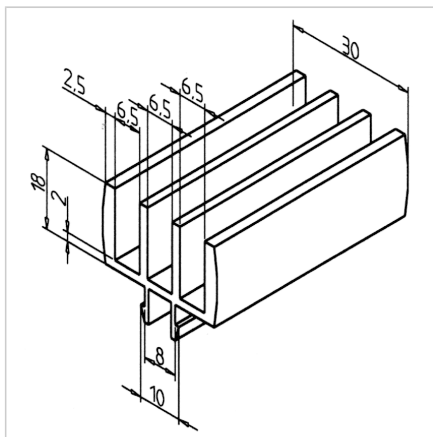
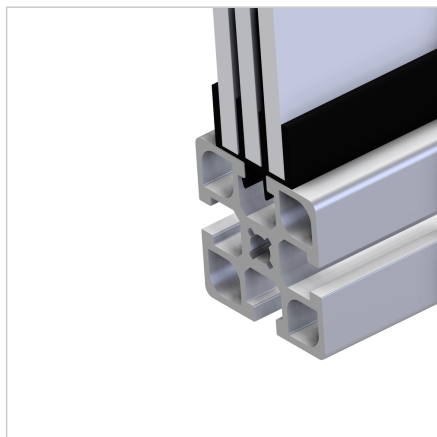


GUIDE PROFILE 3 BLACK L=2m

Code: 221075/0

Guide profile 3 in black for an elegant triple sliding window design.

[Link to the product →](#)



Technical data/items supplied

- PVC
- L=2m
- Weight = 0.340 kg/m

Applications

- 3-fold sliding window made of surface elements up to 6 mm thick

Assembly

- Press into profile groove
- Suitable for subsequent mounting
- For retrofitting the surface elements must be inserted in the grooves of the lower guide profile round rods **part no. 221077/0**
- Determination of dimensions for surface elements for subsequent mounting: Light height- 20 mm, further light height - 10 mm