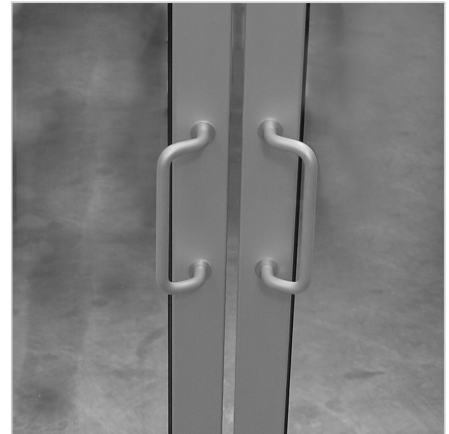
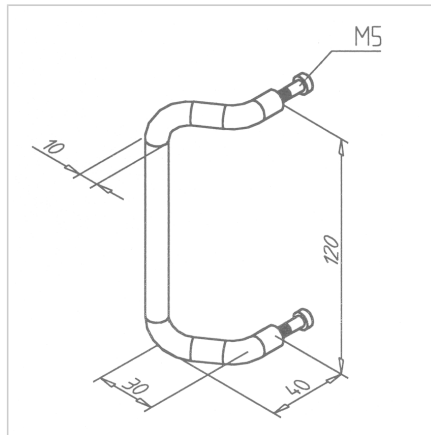


## HANDLE AL ANGLED

Code: 211348/0

Angled aluminium handle for doors. Offers reliable grip and easy integration into aluminium constructions.

[Link to the product →](#)



### Technical data/items supplied

- Aluminium, anodized E6/EV1
- With fastening material steel, zinc plated
- Mounting thread M05x10 mm
- Weight = 0.065 kg/piece

### Applications

- Display windows, showcases
- Cabinets
- Doors

### Assembly

- Fasten to the profile with supplied hardware
- Provided with stepped bore  $\varnothing$  10 mm x 5.5 mm or through-hole  $\varnothing$  5.5 mm
- Fastening kit for handle AL **Part no.** [210898/0](#)