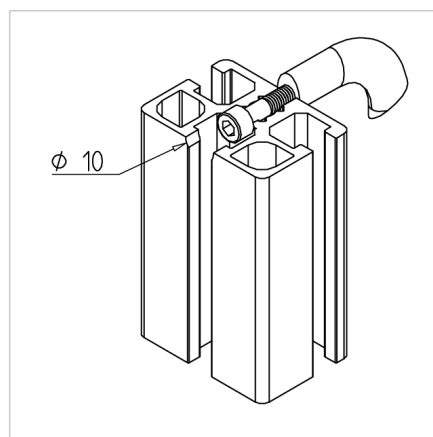
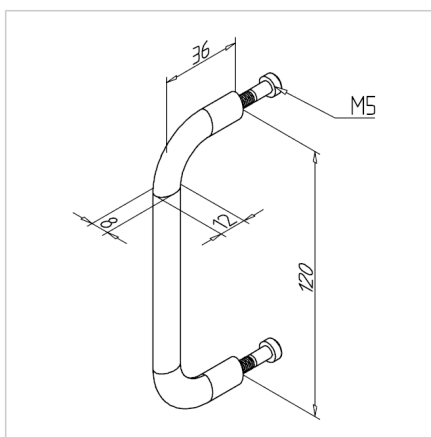
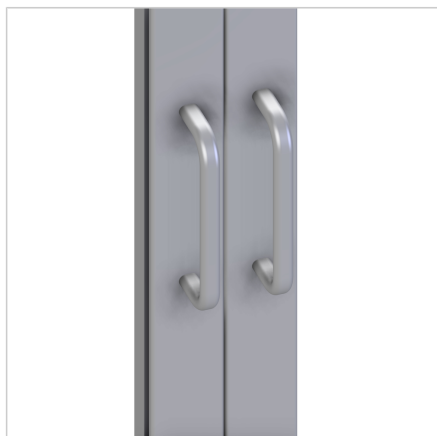


HANDLE AL

Code: 211138/0

Aluminium door handle for easy and comfortable opening of protective doors and enclosures. Durable, lightweight, and visually appealing.

[Link to the product →](#)



Technical data/items supplied

- Aluminium, anodized E6/EV1
- With fastening material steel, zinc plated
- Mounting thread M05x10 mm
- Weight = 0.050 kg/piece

Applications

- Display windows, showcases
- Cabinets
- Doors

Assembly

- Fasten to the profile with supplied hardware
- Provided with stepped bore \varnothing 10 mm x 5.5 mm or through-hole \varnothing 5.5 mm
- Fastening kit for handle AL **Part no.** [210898/0](#)