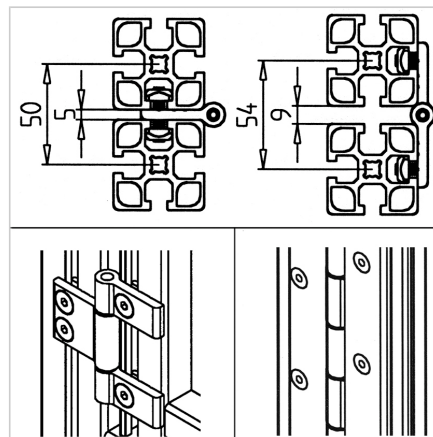
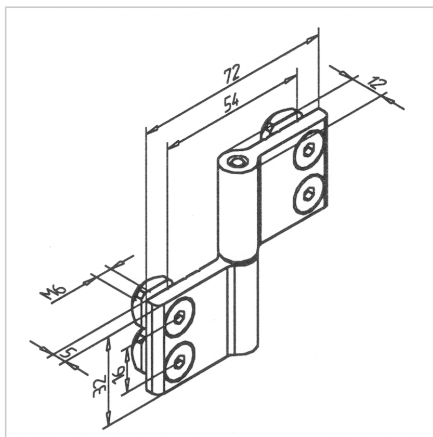
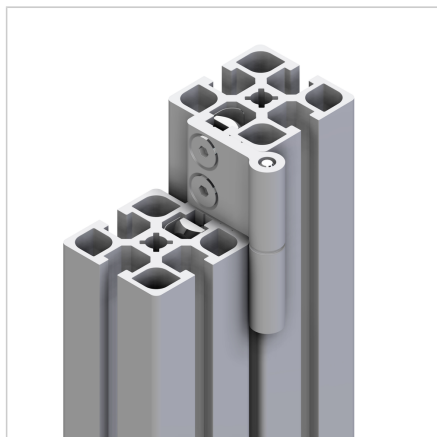


HINGE L 45/45

Code: 211378/0

Hinge L 45/45 ensures stable and flexible connection of aluminium profiles in various structural applications.

[Link to the product →](#)



Technical data/items supplied

- Aluminium, anodized E6/EV1
- With stainless steel shaft
- With fastening material steel, zinc plated
- Load capacity up to 400 N
- Weight = 0.089 kg/piece

Applications

- Detachable doors, hatches, moving parts on profiles 45
- Guard unit fixing angle
- If the hinges are arranged in the opposite direction, non-detachable and horizontally mounted structures can also be produced
- Connection of profiles 45 at various angles

Assembly

- Fasten to profile groove with supplied hardware