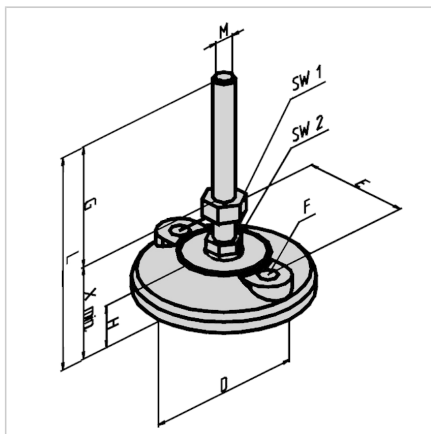


## HINGED FOOT M10 D100 WITH FIXATION BORES L = 122 MM

Code: 211846/0

Adjustable foot M10 D100 with multiple mounting holes for stable and flexible support of aluminum structures.

[Link to the product →](#)



### Technical data/items supplied

- Plate PA, grey
- Anti-slip license NBR, black
- Spindle steel, galvanized
- Lock nut steel, galvanized
- Angular compensation up to 15°
- Thread M10  
Plate  $\varnothing = 100$  mm  
Dimension G = 82 mm  
Dimension X = 40 mm  
SW1 = 17 mm  
SW2 = 14 mm  
Dimension L = 122 mm  
Dimension E = 74 mm  
 $\varnothing F = 9$  mm  
Load capacity max. 1000 kg
- Weight = 0.179 kg/piece

### Applications

- Height adjustable constructions of all kinds
- Protective equipment, tables, showcases
- Conveyors, system workstations

### Assembly

- Directly in the central bore of the profile (can be drilled with thread up to M12)
- Larger threads in connection with connection plate
- For threads larger than M12, the hinged feet must be mounted in conjunction with the connection plate
- For profiles 45 x 90 und 90 x 90 a base and transport plate is required, if the feet are to be positioned centrally.