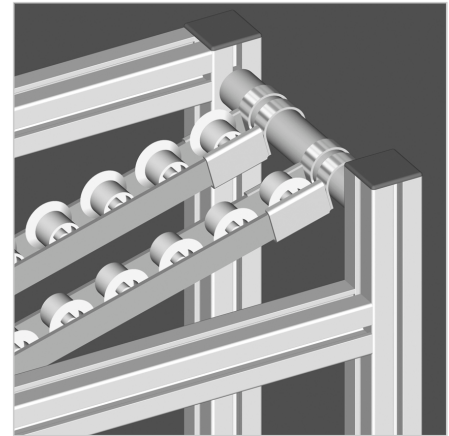
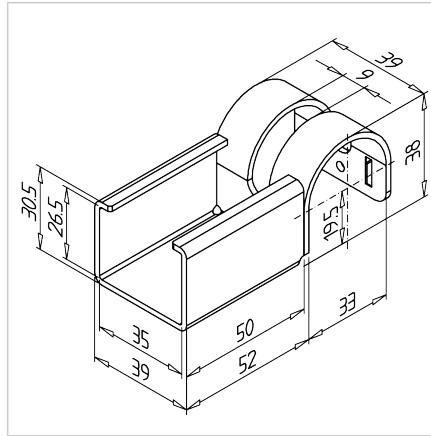
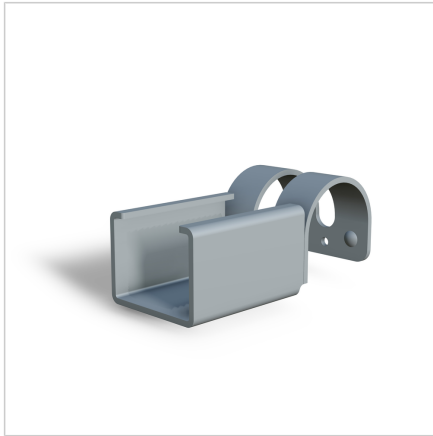


HOLDER FOR ROLLER BAR F

Code: 320554/0

[Link to the product →](#)



Technical data/items supplied

- Steel, galvanized
- Thickness: 2 mm
- Weight = 0.124 kg/piece

Applications

- For attaching roller strip to grip profile 32 **part no.: 201088/0**
- Height of edges on the bracket corresponds the travelling height of rollers

Assembly

- Cut out the roller strip
- Attach bracket to the roller strip
- Hang over handle profile 32
- If necessary, the bracket can be secured with a setscrew