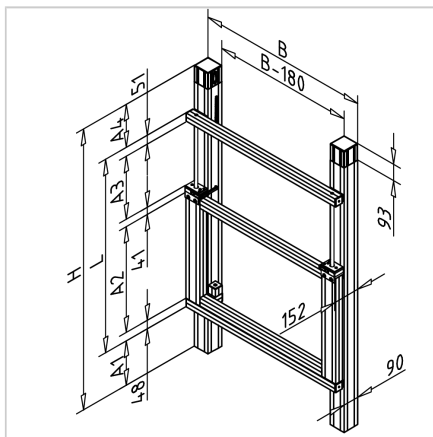
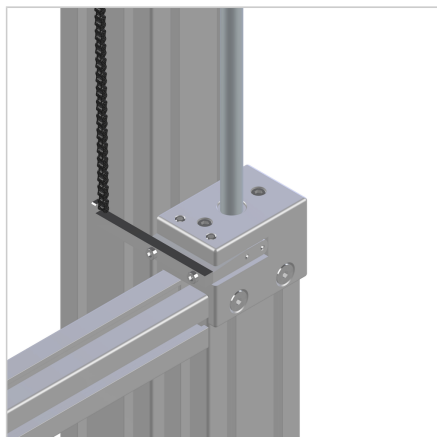


## HUBTÜR MIT FALLSICHERUNG KOMPLETT

Code: 230200/0

Lifting doors ensure safe handling, comfortable operation, and optimized access to work areas.

[Link to the product →](#)



### Technical data/items supplied

- Drive type: manual  
Frame construction: Profile 45x45 & 90x90  
Selectable surface elements: Plastic, aluminium composite, safety glass, polycarbonate and acrylic  
Application areas: Fixed guards
- Please provide the following dimensions:  
**Outside dimension B mm**  
**Floor clearance A1 (>=0) mm**  
**Lifting panel height A2 mm**  
**Stroke A3 mm**  
**Overhang, top A4 (>=93) mm**  
**Required surface element:**

$$L = A2 + A3 + 140$$

$$H = (A1 + A2 + A3 + A4 + 140) \text{ mm}$$

### Applications

- Modular lifting system with fall protection  
Sash weight up to 35 kg  
Surface element selectable  
Weight balancing via counterweights with chain pulley