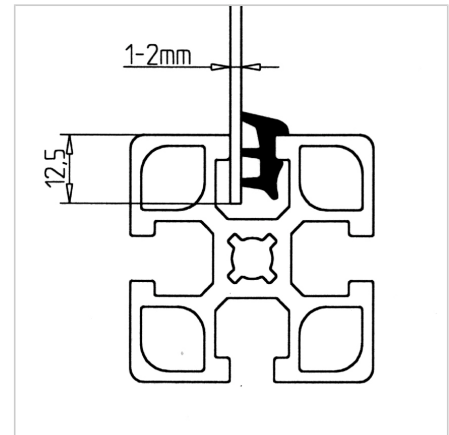
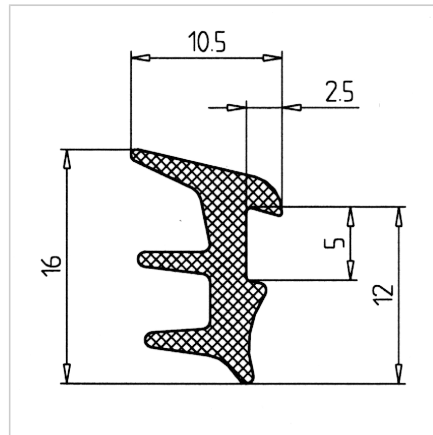
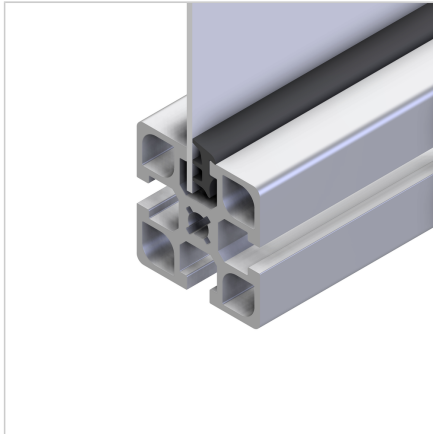


## INSERT SEAL 2

Code: 221083/0

Rubber insert seal 2 for aluminum profiles series 45, ensuring reliable sealing and secure panel fastening.

[Link to the product →](#)



### Technical data/items supplied

- EPDM, black
- Roll length 100 m
- Weight = 0.096 kg/m

### Applications

- Not suitable for acrylic glass and polycarbonate
- Fastening and sealing of surface elements directly in the profile groove up to 2 mm thickness

### Assembly

- Press insert seal subsequently into free space between panel element and profile groove with blunt tool made of wood or plastic
- Materials with <2 mm thickness can be clamped by using sealing gasket 6 on both sides, **part no. 221086/1**