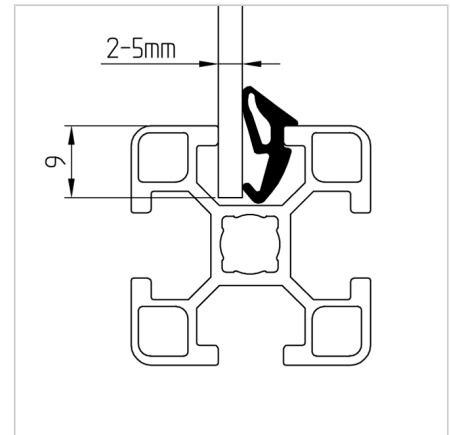
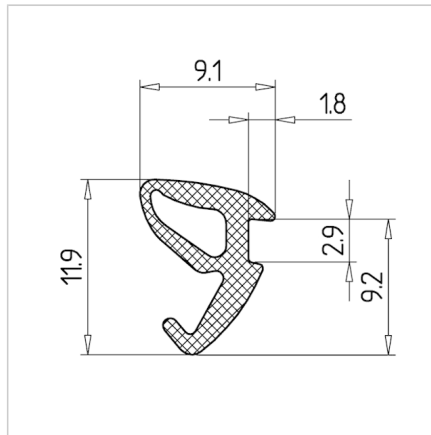
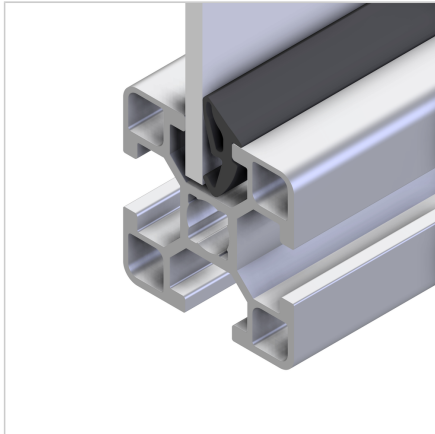


## INSERT SEAL 30

Code: 221174/0

Rubber insert seal for aluminum profiles series 30, providing reliable sealing and secure panel fastening.

[Link to the product →](#)



### Technical data/items supplied

- EPDM, black
- Roll length 100 m
- Weight = 0.050 kg/m

### Applications

- Fastening and sealing of panels directly in the profile groove, for panels 2-5 mm thick

### Assembly

- Insert panel into profile groove, next push gasket in manually or with an appropriate, wooden or plastic tool