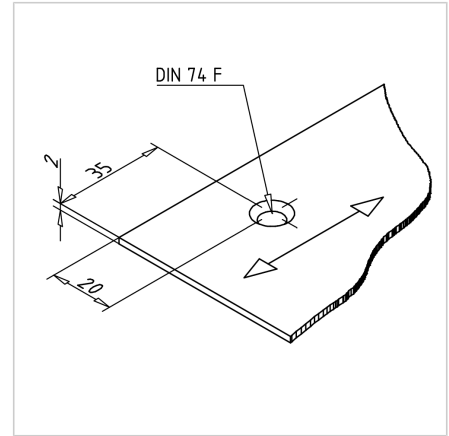
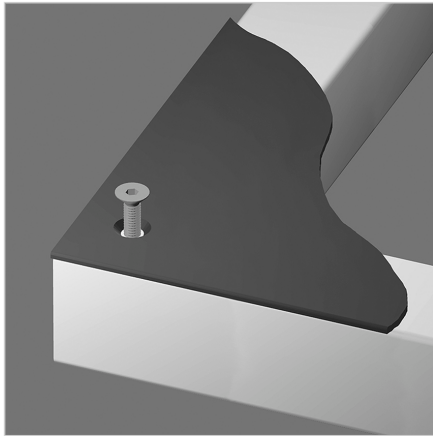


INTERMEDIATE PLATE ALU READY MACHINED

Code: 295010/0

[Link to the product →](#)



Technical data/items supplied

- Aluminium, anodized E6/EV1
- Thickness: 2 mm
- Drilled ready for installation
- Stainless version **part no. 295010/1**
- Bar length = 2 m

Applications

- Sliding support for conveyor belts
- For MiniTec conveyor systems

Assembly

- Screw onto the profile using countersunk screws M5 x 16 and sliding nut M5