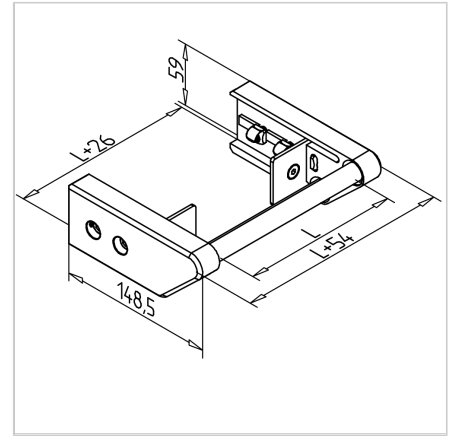
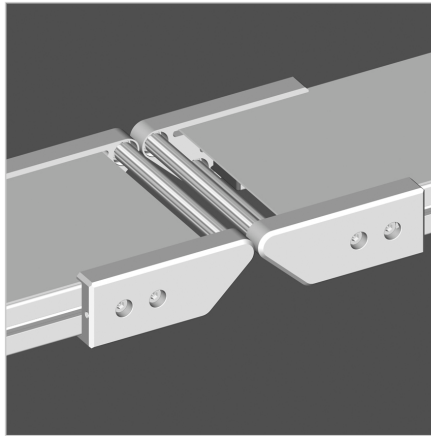


## KNIFE EDGE 16

Code: 295310/0

[Link to the product →](#)



### Technical data/items supplied

- Aluminium, natural anodized
- With fastening material steel, zinc plated
- Ball bearing with bore  $\varnothing$  8 mm
- Cylindrical deflection shaft made of steel
- Shaft journal  $\varnothing$  8 mm
- **Please specify belt width L (max 300 mm)**
- Weight = (basic weight) 0.93 kg
- Extra weight = 0.318 kg/100 mm belt width

### Applications

- For small transport goods and light loads
- Transfer of conveyed goods with the smallest possible gap to the adjacent construction

### Assembly

- Attach to the profile end with supplied hardware
- Align shaft exactly with angle to avoid offset for the bearing