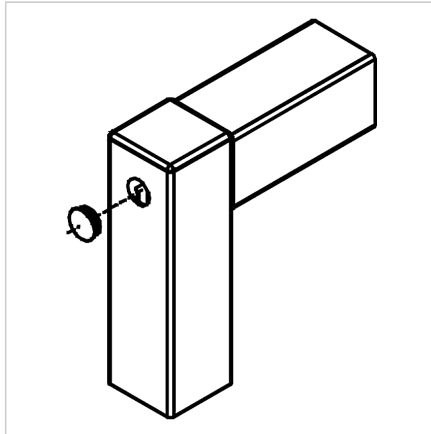
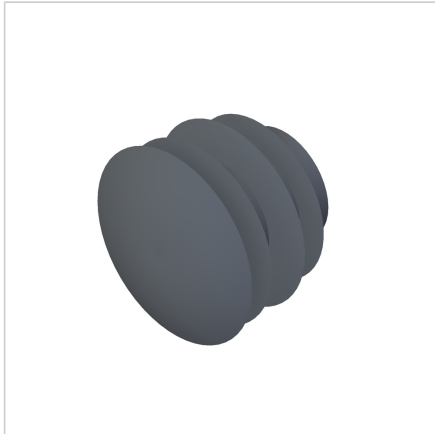


## LAMELLAR PLUG 15 GREY

Code: 221202/1

Lamellar plug 15 for sealing and finishing aluminium profile holes. Easy to install, durable and suitable for industrial use.

[Link to the product →](#)



### Technical data/items supplied

- PE, grey
- Weight = 0.001 kg/piece

### Applications

- For closing off holes with Ø 15 mm, particularly in closed G-profiles