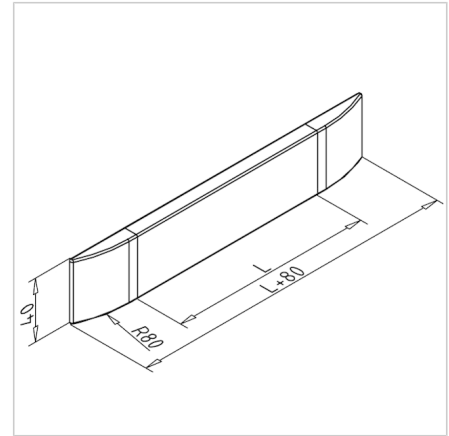
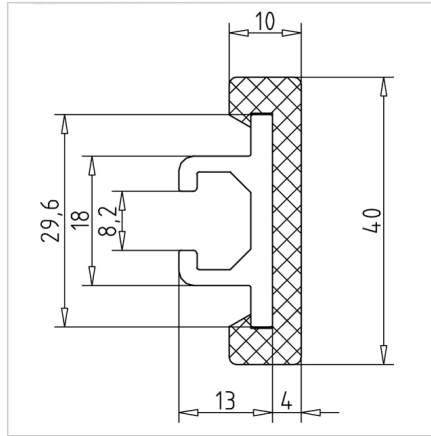
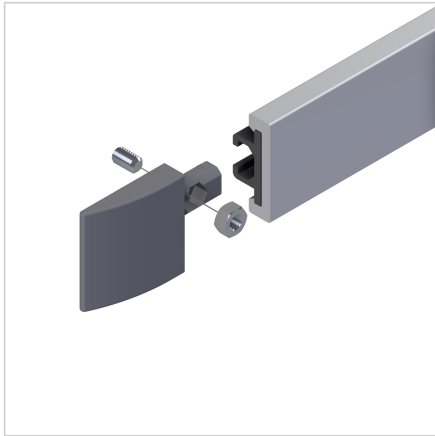


## LATERAL GUIDE 40 F WHITE

Code: 295051/0

[Link to the product →](#)



### Technical data/items supplied

- Aluminium, E6/EV1
- Sliding profile PE, white
- 2 x slide PA, grey
- Bar length = 6 m

### Applications

- adjustable lateral guidance for MiniTec chain conveyors, belt conveyors and roller conveyors

### Assembly

- Square nut M8 from mounting kit for holder side guide into receiving groove
- Fix the holder to the side guide and adjust it