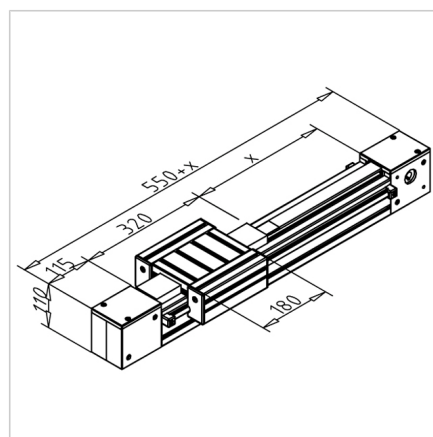
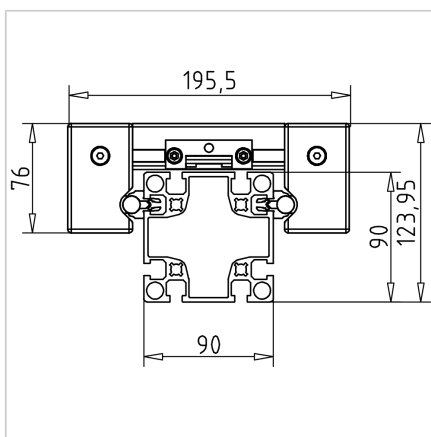


## LINEAR AXIS LR 12 - 90 STROKE = MM

Code: 280601/0

Linear guides LR 12 - 90x90 stainless steel for precise motion with minimal friction. Assembled linear axis ready for immediate use.

[Link to the product →](#)



### Technical data/items supplied

- Linear guide, ready for use, consisting of:
- 1x rail LR 12 - 90 with shaft fixation
- 2x timing belt pulley T90
- 2x timing belt tensioner
- 1x slide LW 90
- 1x timing belt 32AT10
- **Please specify stroke length X and reverse unit**
- Stainless version **part no. 280601/1**
- Weight = (basic weight) 11.65 kg
- Extra weight = 0.827 kg / 100 mm stroke

### Applications

- Handling devices
- Measuring devices
- Calibration devices

### Assembly

- Belt is fastened and tensioned with the aid of timing belt tensioner