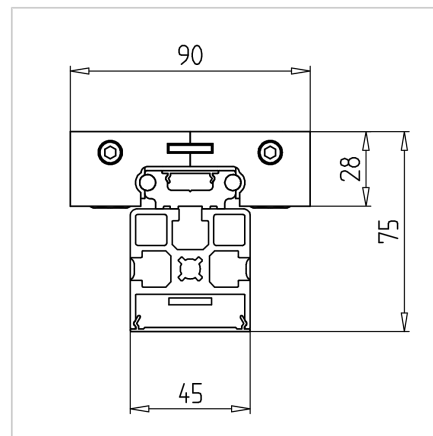
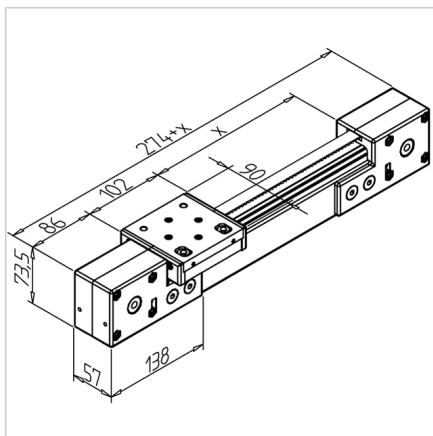
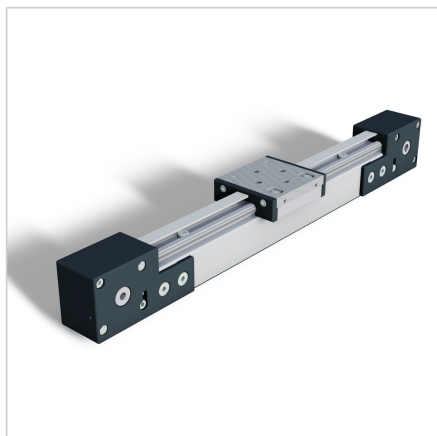


## LINEAR AXIS LR 6 Z - 45 STAINLESS STROKE = MM

Code: 280500/1

Linear guides LR 6 - 45x45 R stainless steel for precise motion with minimal friction. Assembled linear axis ready for immediate use.

[Link to the product →](#)



### Technical data/items supplied

- Linear guide, ready for use, consisting of:
- 1x rail LR 6 with precision steel shafts h6, Ø 6 mm, on carrier profile 45 x 45 R
- **Please specify stroke length X and reverse unit**
- Max. stroke length 5867 mm

### Applications

- Handling devices
- Measuring devices
- Calibration devices
- Precise guidance of doors or large extracts

### Assembly

- Strap is tensioned over the reversing unit