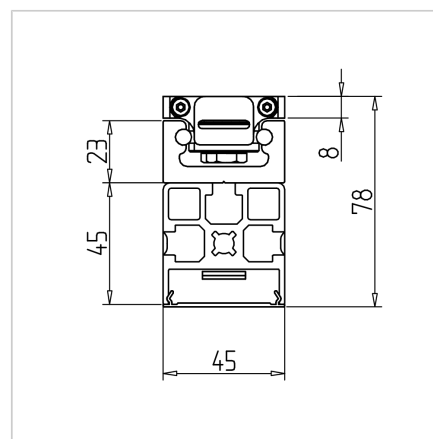
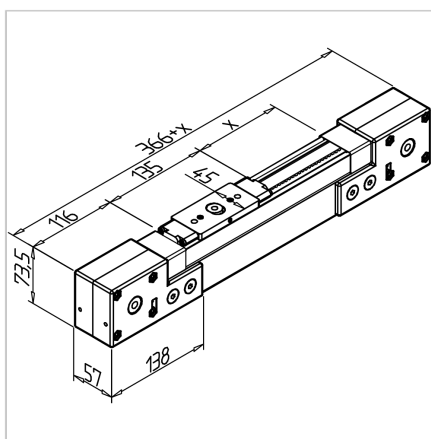


## LINEAR AXIS LR 6 Z COMPACT - 45 STROKE = MM

Code: 280503/0

Linear guides LR 6 compact 45 x 45 R for precise motion with minimal friction. Assembled linear axis ready for immediate use.

[Link to the product →](#)



### Technical data/items supplied

- Linear guide, ready for use, consisting of:
- 1x rail LR 6 compact with precision steel shafts h6,  $\varnothing$  6 mm. on support profile 45 x 45 R
- **Please specify stroke length X and reverse unit**
- Max. stroke length 5807 mm
- Stainless version **part no. 280503/1**
- 1x slide LR 6 Z compact with integrated timing belt retainer
- 2x timing belt pulleys
- 1x timing belt 16 AT 5, steel reinforced
- Weight = (basic weight) 2.977 kg
- Extra weight = 0.407 kg / 100 mm stroke

### Applications

- Handling devices
- Measuring devices
- Calibration devices

### Assembly

- Strap is tensioned over the reversing unit