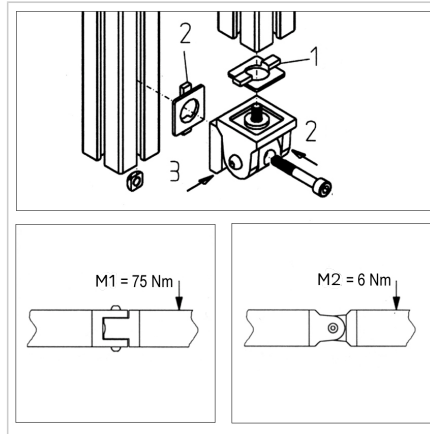
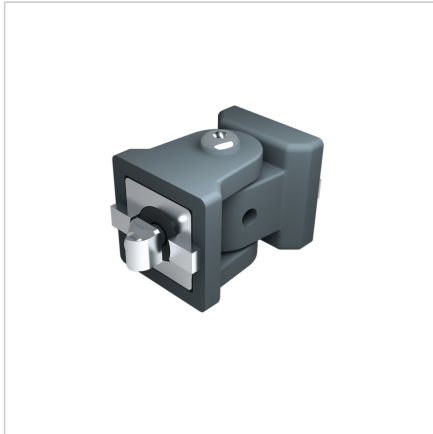


## LINK 45 F

Code: 212030/1

Precise joint element 45 F with M8 square nut for secure, non-moving profile connections.

[Link to the product →](#)



### Technical data/items supplied

- Aluminium, Pressure die-casting, powder-coated, grey
- With fastening material steel, zinc plated
- Anti-rotation device AL GD
- Load  $F_{max}$  5000 N
- Weight = 0.282 kg/piece

### Applications

- Connection of profiles at various angles
- Bracings
- Reinforcement of frame constructions
- Not to be used as a hinge

### Assembly

- 1: Joint half with pre-mounted screw to desired position fasten
- 2: Insert screw from items included and fix link half 2 (to do so, swing movable side by approx. 90°)
- 3: Tighten lateral connecting screws