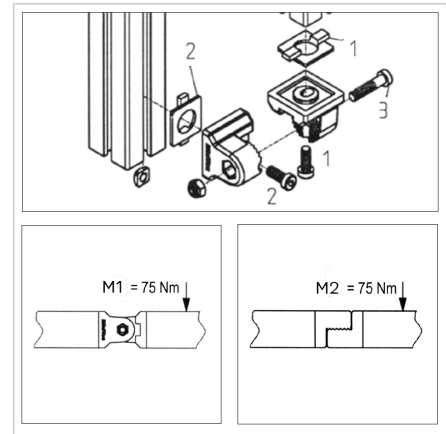
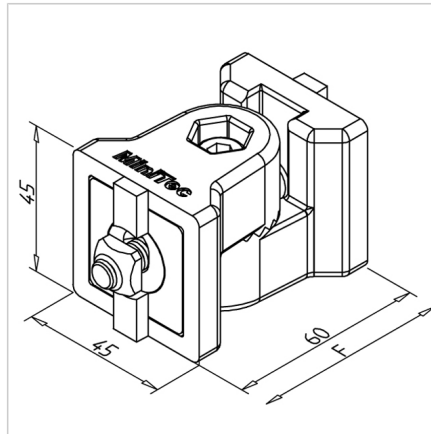


## LINK 45 R

Code: 212041/0

Aluminium profile joint 45 R enables flexible, reliable and strong connection of aluminium profiles for durable and adaptable constructions.

[Link to the product →](#)



### Technical data/items supplied

- Aluminium, Pressure die-casting, powder-coated, grey
- With fastening material steel, zinc plated
- Anti-rotation device AL GD
- Load  $F_{max}$  5000 N
- Use on vertical struts **part no. 212041/7** (square nuts with position fixing)
- Weight = 0.263 kg/piece

### Applications

- Adjustment range approx. 180° in 15° increments
- Fastening of heavy attachments such as extension arms, gripper cup holders, devices
- Safe adjustment through tooth system

### Assembly

- 1: Place locking device and screw first half of the bracket
- 2: Fix second half
- 3: Connect the 2 halves in desired angle and tighten