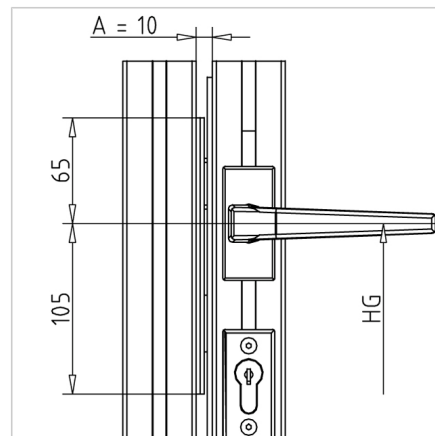
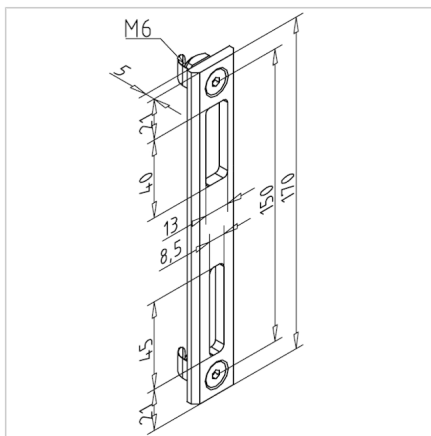


Lock plate for door lock

Code: 210966/0

Lock plate for door locks designed for secure mounting without extra modifications to door profiles. Easy installation and long-lasting performance.

[Link to the product →](#)



Technical data/items supplied

- Aluminium, anodized E6/EV1
- With fastening material steel, zinc plated
- Weight = 0.061 kg/piece

Applications

- To be used in conjunction with door lock **part no. 211748/0**
- No post processing on the profile groove of the door post required

Assembly

- Fasten to profile groove with supplied hardware
- Door gap at lock 10 mm