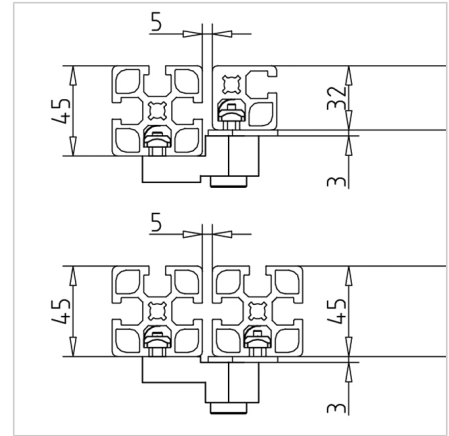
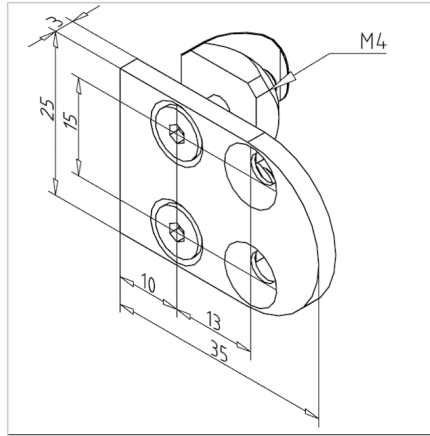


## MAGNET PLATE S

Code: 212308/0

[Link to the product →](#)



### Technical data/items supplied

- Steel, galvanized
- With fastening material steel, zinc plated
- Weight = 0.031 kg/piece

### Applications

- For magnetic catch S **part no. 210888/0**

### Assembly

- Fasten on profile groove
- No drilling required