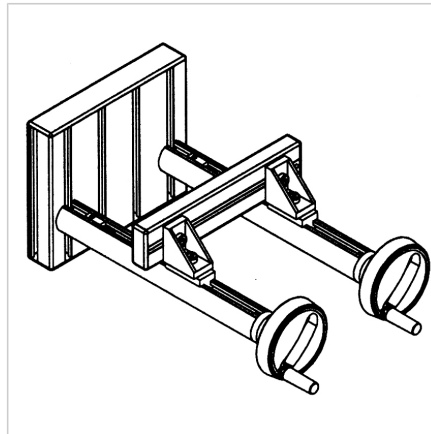
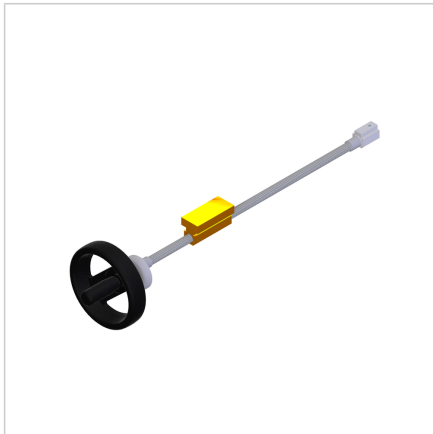


MINI-ADJUSTING UNIT MOUNTING KIT FOR HANDLE PROFILE 32

Code: 280353/1

Mini adjusting unit installation kit for handle profile 32 enables quick mounting and adjustment of guides, sensors, and simple equipment.

[Link to the product →](#)



Technical data/items supplied

- VA spindle M8 x 1.25
- Brass slide
- Max. load 1 - 2 kg
- **Please indicate desired length of stroke**

Applications

- For adjustment of the lateral guides on conveying equipment
- For adjusting sensor holders or light barriers
- For simple equipment

Assembly

- With MiniTec power-lock fastener
- Can also be fastened with a mounting bracket
- Fasten handle profile 32 with clip, **part no. 22.1022/0**