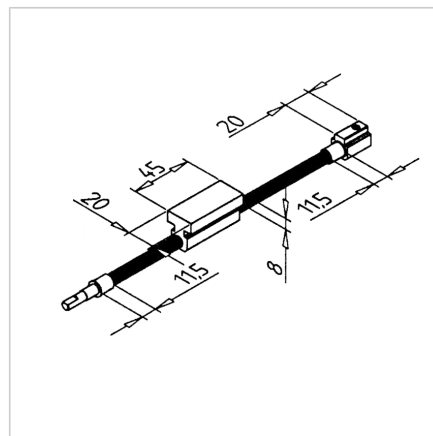
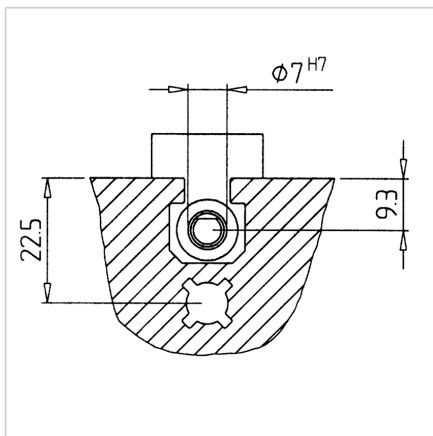


## MINI-ADJUSTING UNIT MOUNTING KIT WITH OUT BEARING BLOCK AND HANDWHEEL

Code: 280350/0

Mini installation kit for linear units enables fast and simple assembly while ensuring reliable performance in various applications.

[Link to the product →](#)



### Technical data/items supplied

- Without support profile, handwheel and bearing block for installation in existing fixture
- VA spindle M8 x 1.25
- Brass slide
- Max. load 1 - 2 kg
- **Please indicate desired length of stroke**

### Applications

- For adjustment of the lateral guides on conveying equipment
- For adjusting sensor holders or light barriers
- For simple equipment

### Assembly

- Make bearing block according to sketch
- Push into the profile groove and fasten the end block