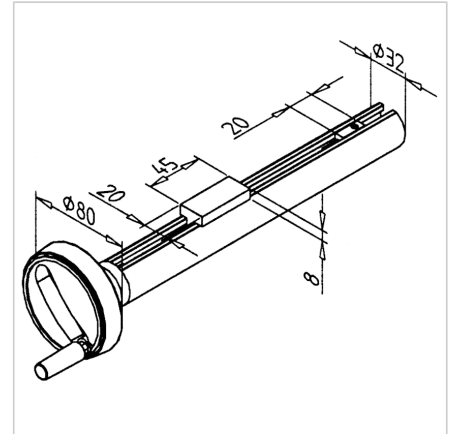
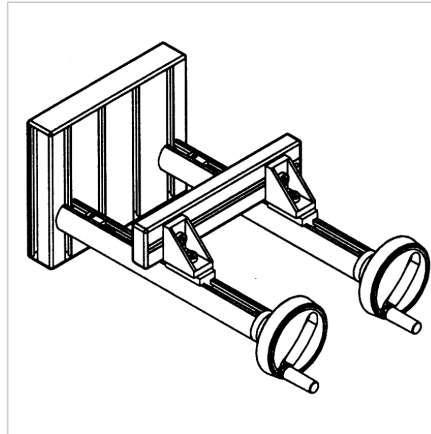


## MINI-ADJUSTING UNIT WITH HANDLE PROFILE 32

Code: 280353/0

Mini adjusting unit with handle profile 32 enables quick adjustment of side guides, sensors, or simple equipment.

[Link to the product →](#)



### Technical data/items supplied

- With carrier profile handle profile 32
- VA spindle M8 x 1.25
- Brass slide
- Max. load 1 - 2 kg
- **Please indicate desired length of stroke**

### Applications

- For adjustment of the lateral guides on conveying equipment
- For adjusting sensor holders or light barriers
- For simple equipment

### Assembly

- With MiniTec power-lock fastener
- Can also be fastened with a mounting bracket
- Fasten handle profile 32 with clip, **part no. 22.1022/0**
- Also available without carrier profile, **part no. 280353/1**