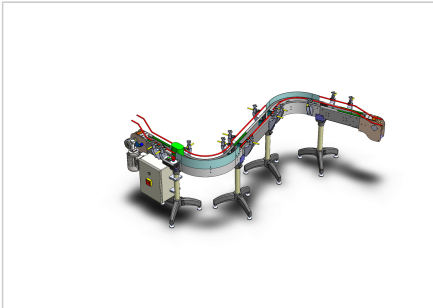


MODULAR CHAIN CONVEYOR

Code: 3002623/0

Dimensions, materials, drives, and additional equipment according to preferences and requirements.

[Link to the product →](#)



Technical data/items supplied

- Stainless steel or aluminum conveyor construction
- belt type according to requirements and preferences,
- standard speed 10 m/min or as agreed,
- 3-phase 380 V electric motor with drive,
- additional equipment or configuration as agreed.