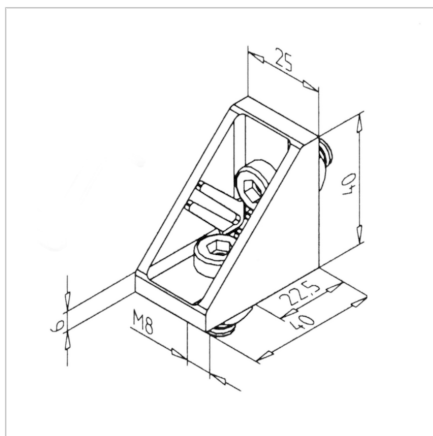
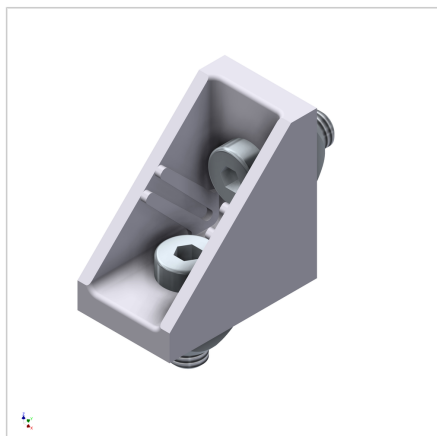


## MOUNTING BRACKET 25 GD-Z CONDUCTIVE UNCOATED

Code: 210969/6

Conductive mounting angle 25 GD-Z for safe aluminium profile connections with ESD protection. Prevents static discharge, ideal for sensitive equipment.

[Link to the product →](#)



### Technical data/items supplied

- Aluminium, Pressure die-casting, blasted
- With fastening material steel, zinc plated
- Removable centering tabs
- Weight = 0.066 kg/piece

### Applications

- General constructions, particularly for subsequent insertion of profiles into existing constructions
- Fastening of surface elements, table tops
- Strengthening of profile constructions

### Assembly

- Fasten to profile groove with supplied hardware
- For subsequent mounting on vertical nut, a square nut M8 Z with nut fixation, **part no. 211390/2** is preferred
- Recommended locking torque: 20 Nm