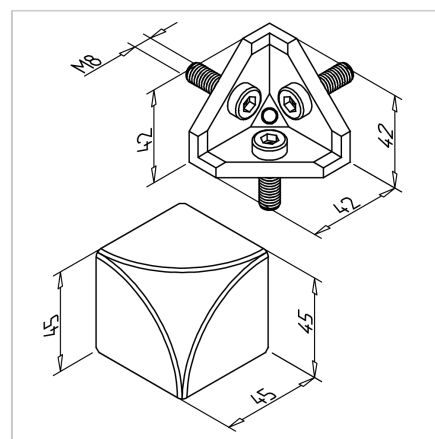
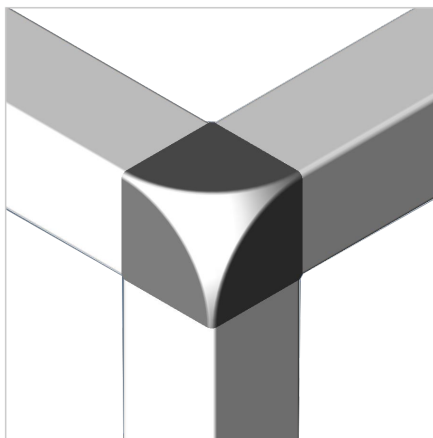
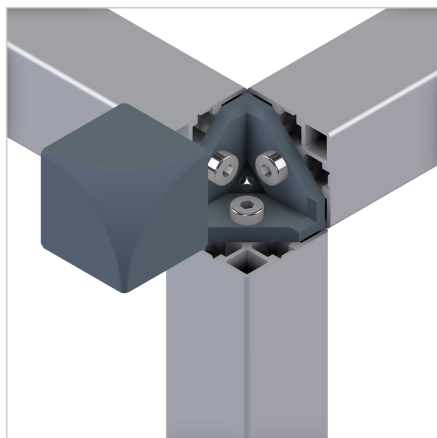


MOUNTING BRACKET 45 G GREY

Code: 212503/1

Mounting angle 45 G for secure angled aluminium profile connections without machining. Enhances precision, durability, and assembly flexibility.

[Link to the product →](#)



Technical data/items supplied

- Aluminium, Pressure die-casting, bright, grey
- With fastening material steel, zinc plated
- End cap MW 45/45/45 grey **part no.** [221177/1](#)
- Weight = 0.121 kg/piece

Applications

- Constructions for show cases, tables etc.
- Connection of profiles 45x45, preferably G-profile

Assembly

- Fasten to central profile bore with fixation material from delivery scope
- Clip the end cap