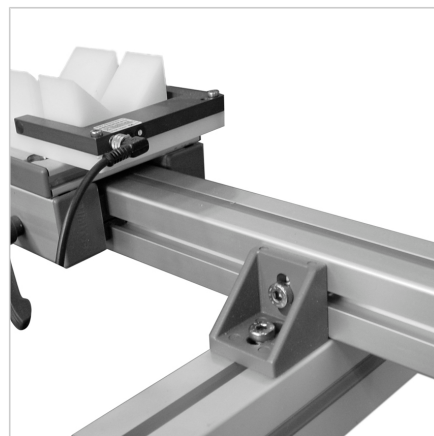
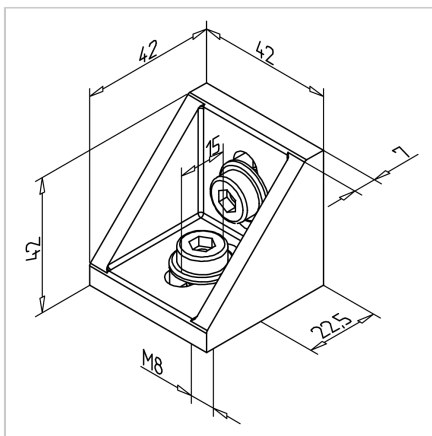
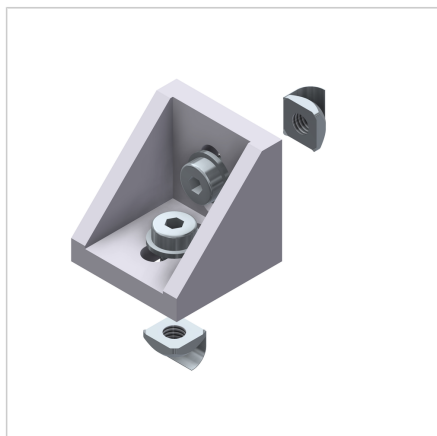


## MOUNTING BRACKET 45 GD CONDUCTIVE WITH SLIDE NUTS M08 Z AND RETAINING PLATE

Code: 211133/8

Conductive mounting angle 45 GD for safe aluminium profile connections with ESD protection. Prevents static discharge, ideal for sensitive equipment.

[Link to the product →](#)



### Technical data/items supplied

- Aluminium, Pressure die-casting, blasted
- With fastening material steel, zinc plated
- Weight = 0.115 kg/piece

### Applications

- General constructions, particularly for subsequent insertion of profiles into existing constructions
- Fastening of surface elements, table tops
- Strengthening of profile constructions

### Assembly

- Fasten to profile groove with supplied hardware
- Hammer head screw **part no. 21.1370/0** can be used
- Recommended locking torque: 20 Nm