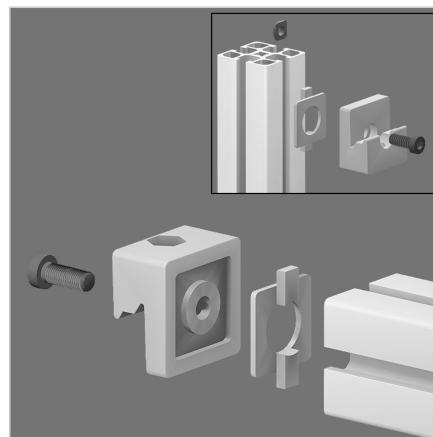
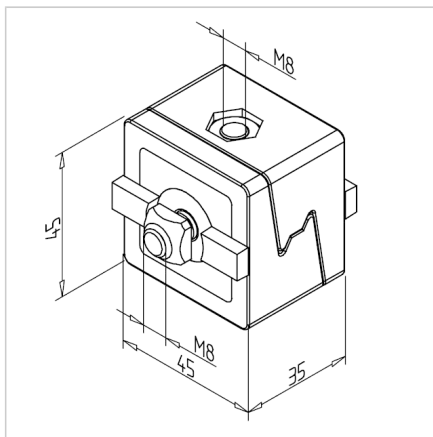
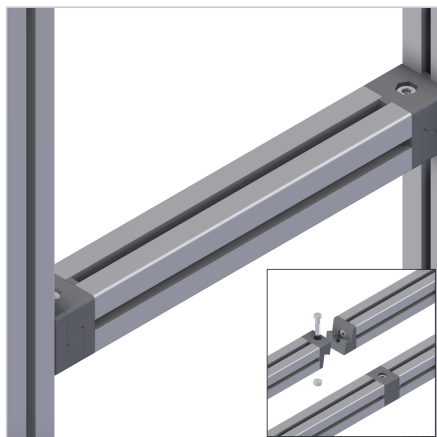


MOUNTING BRACKET 45

Code: 211411/0

Mounting bracket 45 for connecting aluminium profiles. Ideal for profile extensions and removable, adjustable structures.

[Link to the product →](#)



Technical data/items supplied

- Zinc, Pressure die-casting, powder-coated, grey
- With fastening material steel, zinc plated
- Weight = 0.429 kg/piece

Applications

- Connection of profiles
- Profile extension
- Subsequent insertion of profiles into existing constructions
- Attaching bearing surfaces
- Removable attachments
- Slidable in the groove direction

Assembly

- Fasten to profile groove with supplied hardware
- When retrofitting on a vertical groove, preferably use square nut M8 with position fixing, **part no. 211351/2**
- Recommended locking torque: 20 Nm